

## Compact PLC Splitter



### Applications

- Video signals distribution in optical CATV
- Usable for PON (Passive Optical Network)
- Signal-distribution using optical AMP

**Product Type : PS202 1×8 ,1×16 ,1×32**

### Descriptions

PS202 is the compact 1xN optical splitter using PLC (Planar Lightwave Circuit) and suitable for installation in optical equipments. PS202 is the best choice for constructing Passive Optical Networks.

### Features

- Low Insertion Loss.
- Compact packaging size. Suitable for installation in a splicing closure.  
(Almost the same as protection sleeve for fusion splicing in PS202-1x8 and 1x16)
- High reliability.(Telcordia GR-1209, GR-1221 Qualified)

### Specifications

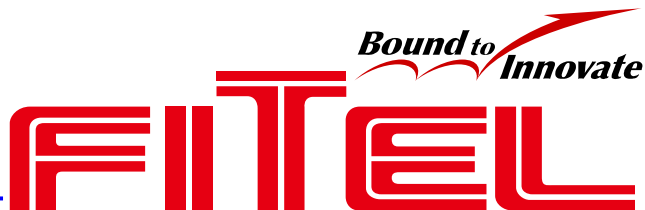
Parameters		1x8	1x16	1x32
Operating Wavelength		1260 ~ 1360nm / 1480 ~ 1580 nm		
<b>Standard</b>				
Insertion Loss (dB) <sup>*1)</sup>	Max.	11.0	14.5	17.8
Uniformity (dB) <sup>*1)</sup>	Max.	1.0	1.5	2.0
<b>Premium</b>				
Insertion Loss (dB) <sup>*1)</sup>	Max.	10.4	13.8	16.8
Uniformity (dB) <sup>*1)</sup>	Max.	0.8	1.3	1.5
<b>Common specification</b>				
PDL (dB)	Max.	0.3		
Return Loss (dB) <sup>*1)</sup>	Min.	50		
Directivity (dB) <sup>*1)</sup>	Min.	50		
Fiber Type		φ0.25 mm single-mode fiber		
Operating Temperature (°C)		-40 ~ +75		
Storage Temperature (°C)		-40 ~ +85		

\*1) Without connectors

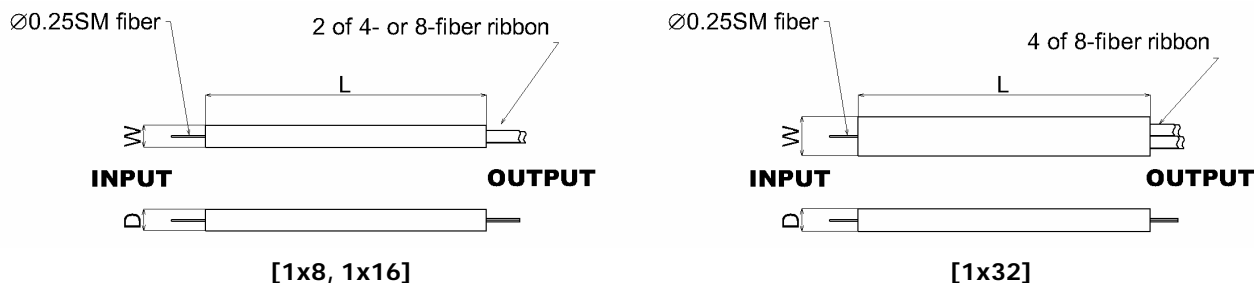
# Data Sheet

## PS202 Series

Feb. 2009

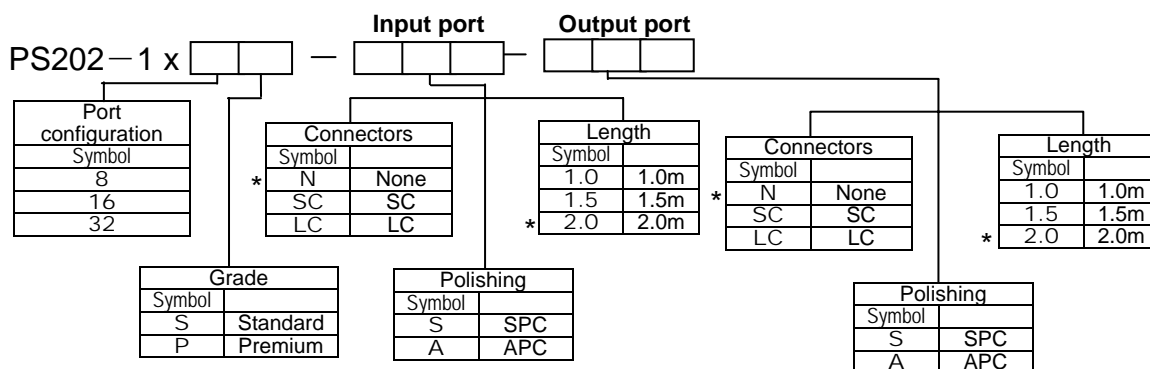


### Outline Drawing



		1x8	1x16	1x32
Dimensions (mm)	W	3.9	3.9	7.0
	D	3.9	3.9	4.0
	L	41.5	50	52
Output Fiber Ribbon		2 x 4-fiber	2 x 8-fiber	4 x 8-fiber

### Ordering information



\*Standard Type: PS202-1x[ ] [ ] -N2.0-N2.0

Furukawa Electric reserves the right to improve, enhance and modify the features and specifications of FITELE products without prior notifications.

## THE FURUKAWA ELECTRIC CO., LTD.

**Japan**  
**Head Office**  
 2-2-3, Marunouchi  
 Chiyoda-ku  
 Tokyo 100-8322, JAPAN  
 Tel: +81-3-3286-3253  
 Fax: +81-3-3286-3978  
<http://www.furukawa.co.jp>  
 Email:comsales@ho.furukawa.co.jp

**North America**  
**OFS Fitel, LLC**  
**Specialty Photonics Division**  
 25 Schoolhouse Road  
 Somerset, NJ 08873 USA  
 Tel: +1-732-748-7402  
 Fax: +1-732-748-7436  
<http://www.SpecialtyPhotonics.com>  
 E-mail:info@SpecialtyPhotonics.com

**Europe**  
**Furukawa Electric Europe Ltd.**  
 3rd Floor, Newcombe House  
 43-45 Notting Hill Gate  
 London W11 3FE, UK  
 Tel: +44-20-7221-6000  
 Fax: +44-20-7313-5310  
<http://www.furukawa-fitel.co.uk>  
 E-mail:sales@furukawa-fitel.co.uk

**ASIA**  
**Furukawa Electric Hong Kong Ltd.**  
 Suite 2606, Shell Tower,  
 Times Square, 1 Matheson Street,  
 Causeway Bay, Hong Kong  
 Tel: 852-2512-8938  
 Fax: 852-2512-9717  
<http://www.fehk.com.hk/>  
 E-mail: guest@fehkc.com